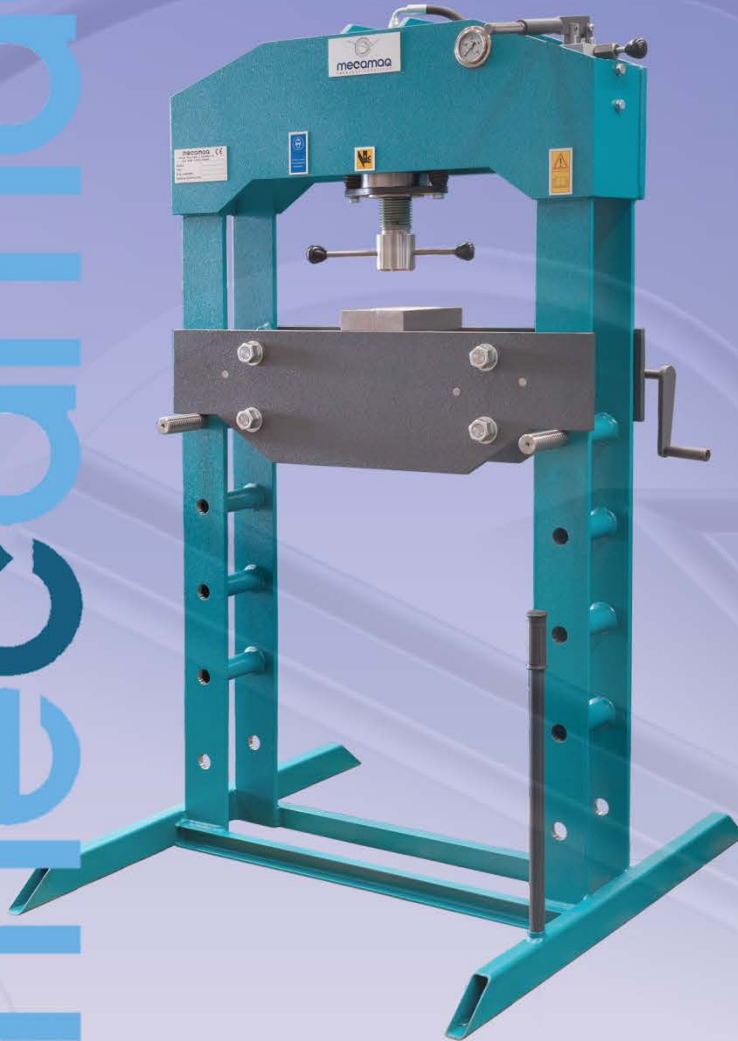
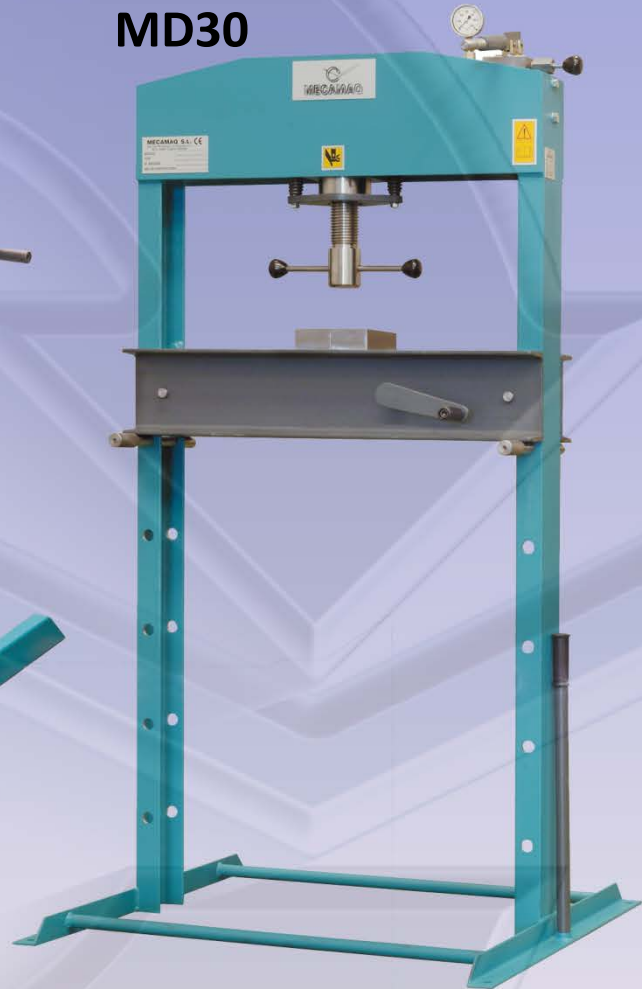




MC50



MD30

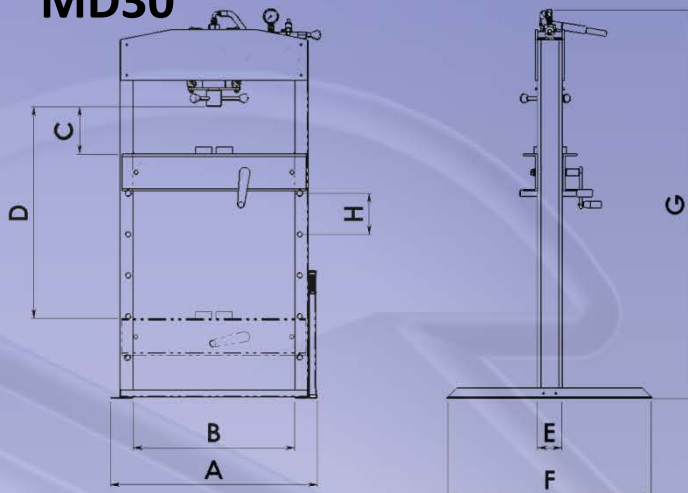


MODEL	Power (Tm)	Stroke (mm)	Threaded piston rod (mm)	Front opening (mm)	Columns	Weight (KG)
MD30	30	120	120	790	2	190
MC50	50	150	150	800	4	360

***OPTIONAL EQUIPMENT: SAFETY FRONT DOOR – REAR PROTECTION FIXED.**

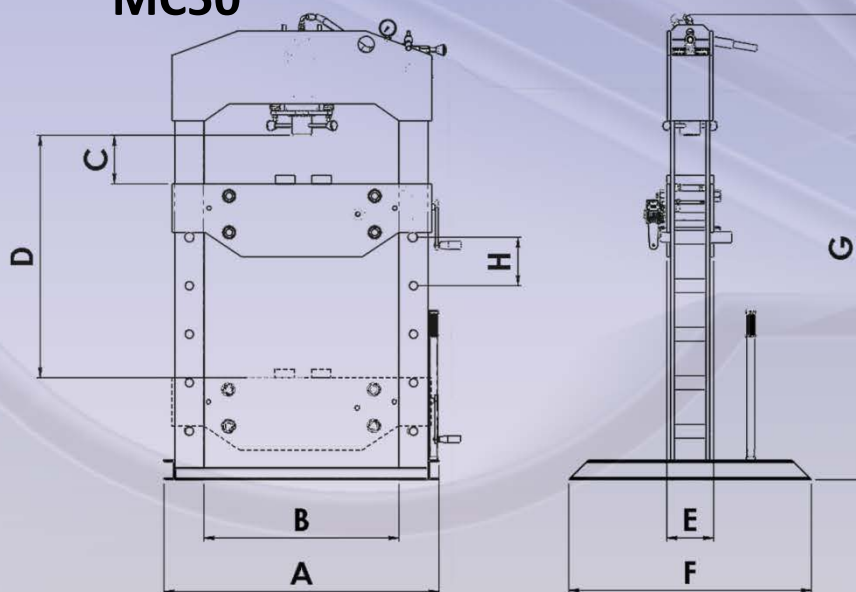


MD30



MODEL	MD30
CAPACITY (Tons)	30
A (mm)	1000
B (mm)	790
C (mm)	230
D (mm)	1030
E (mm)	125
F (mm)	1000
G (mm)	1900
H (mm)	200

MC50



MODEL	MC50
CAPACITY (Tons)	50
A (mm)	1130
B (mm)	800
C (mm)	200
D (mm)	1000
E (mm)	160
F (mm)	1000
G (mm)	1950
H (mm)	200

***OPTIONAL EQUIPMENT:** SAFETY FRONT DOOR – REAR PROTECTION FIXED

FOR DETAILED INFO CONTACT US: mecamaq@mecamaq.com // www.mecamaq.com