



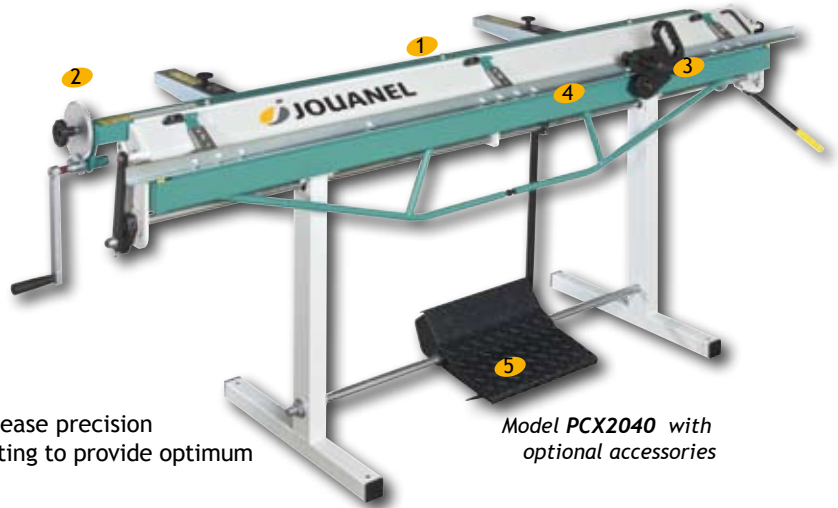
Manual folding machines PCX

PCX

The light and compact structure of the PCX enables an excellent bend quality, on site or in a workshop. Fitted with an eccentric driven clamp control

Standard equipment

- Clamp 35°
- Narrow folding beam 15 mm
- Lever-activated gas cylinder for clamp release
- Adjustable clamp opening
- Angle indicator
- Delivered in a wooden box with separated base
- Table, clamp and folding beam are adjustable to increase precision
- Vertical adjustment of the folding beam for radius setting to provide optimum folding results (for PCX3080D only)



Model PCX2040 with optional accessories

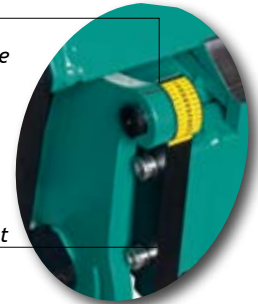
Features	PCX2040	PCX2540	PCX3080D
Useful folding length (mm)	2040	2540	3080
Capacity zinc, alu, copper / soft steel S235JR (mm)	1,0 / 0,8	0,8 / 0,7	1,0 / 0,8
Clamp opening (mm)	50	70	80
Dimensions (mm)	2260 x 1040 x 600	3100 x 1060 x 600	3650 x 1060 x 650
Gross weight (kg)	160	240	350



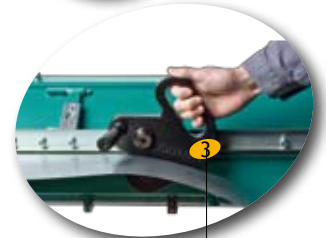
Optional accessories

- Roller shear CCM (cannot work without guide rail) **3**, capacity zinc, alu 0,8 mm, soft steel 0,7 mm.
- Guide on rail and 2 holding handles provides optimum cutting precision
- Capacity 0,8mm zinc 0,7mm steel
- Guide rail for roller shear (RCX2040A, RCX2540A, RCX3040A) **4**
- Clamping foot pedal (PCXP2040, PCXP3040) **5**
- Set of 4 wheels (PCXR2040, PCXR3040)
- Beading accessory equipped with gears to reduce effort ø 14, 16, 18 mm **2** ABH14-16-2040, ABH18-2040, ABH16-18-2540, ABH16-3040, ABH18-3040 (ø to be specified with the order), capacity look at page 6
- Sliding set of 2 back gauges with ways from 45 up to 500 mm (PCXB2040, PCXB2540) except PCX3080D from 60 up to 500 mm (PZA-GAS) **1**
- Extra back gauge arm (PCXBS2-2,5-3)

Indicator for angle



Folding beam adjustable height

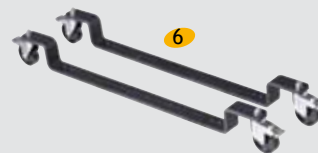


Roller Shear

Back gauge

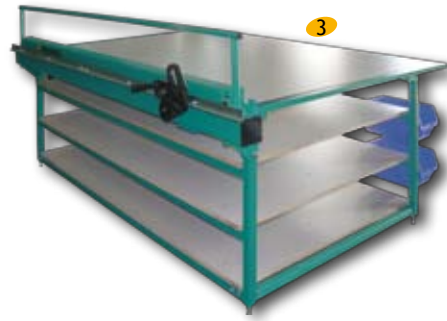


Model PCX3080D with optional accessories



Workshop bench adaptable on a folding machine 3

- Dimensions 2090 x 1500mm
- Graduated table for sheet metal drawing
- 3 stocking levels and 4 racks
- For PVS : ETB2040VS



Back table for folding machine 4

- All length table graduation
- Integrated adjustable sliding back gauge
- Length 2 000 mm x 1 280 mm
 - For PCX : ETBX2040C
 - For PZX : ETBX2040
 - For PVX : ETBX2040V
- Length 2 500 mm x 1 280 mm
 - For PCX : ETBX2540C
 - For PZX : ETBX2540
- Length 3 000 mm x 1 280 mm
 - For PVX : ETBX3080V

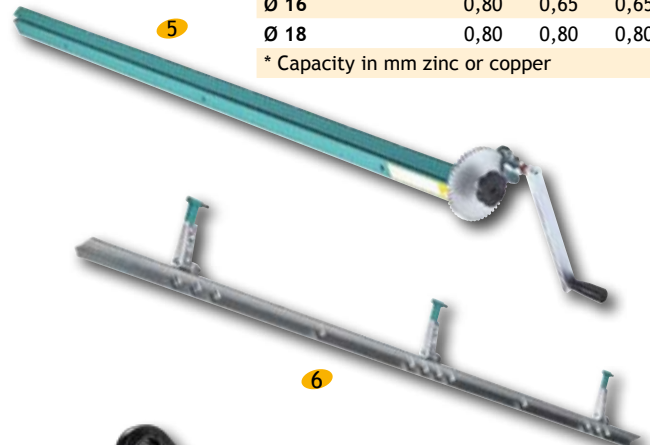


Beading accessory equipped with gears Ø 14, 16, 18 mm type ABH 5 (Ø to be chosen at the order)

- For PCX2040 and PZX2040 : ABH14-16-2040 / ABH18-2040
- For PCX2540 and PZX2540 : ABH16-18-2540
- For PCX3080D : ABH16-3080 / ABH18-3080
- For PVS2050M : ABH14-16-2040VS
- For PVS3080MR : ABH16-3040VS / ABH18-3040VS
- For PVX2040 : ABV14-16-2040 / ABV18-2040
- For PVX3080 : ABV16-3080 / ABV18-3080

Capacity*	2040	2540	3080
Ø 14	0,65	-	-
Ø 16	0,80	0,65	0,65
Ø 18	0,80	0,80	0,80

* Capacity in mm zinc or copper



Guide rail for roller shear CCM 6

- For PCX2040 : RCX2040A
- For PCX2540 and PZX2540 : RCX2540A
- For PCX3080D : RCX3080
- For PZX2040 : RZX2040

Guide rail for roller shear CCMA

- For PVX2040 : RVX2040
- For PVX3080 : RVX3080

Roller shear CCM 7 and CCMA 8

(cannot work without guide rail)

- Aluminium body easy to handle and robust
- Tempered steel blades for a better longevity
- Guided on a rail for a more precise cut
- Capacity 0,8mm zinc

